

Design with

OLED

Applelec



OLED CLASSIC.

PENDANT LUMINAIRE



ELEGANT

MODERN DESIGN REMINISCENT OF THE
INCANDESCENT LIGHT BULB

PREMIUM

HOMOGENOUS LIGHT DISTRIBUTION WITH HIGH
COLOR RENDERING

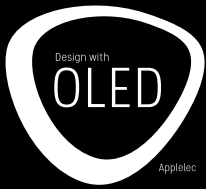
HUMAN-FRIENDLY

FREE OF GLARE, UV AND WITH LOW HEAT EMISSION

FUNCTIONAL

ADJUSTABLE "TILT & TWIST" ACTION

www.designwitholed.co.uk



ELEGANT YET CONTEMPORARY, THIS IS THE NEW 'CLASSIC'.

THE OLED CLASSIC IS A RE-IMAGINATION OF THE INCANDESCENT LIGHT BULB, BUT WITHOUT THE DISCOMFORT OF GLARE AND HEAT, WITHOUT THE HAZARDOUS MATERIALS, AND AT A MUCH HIGHER EFFICIENCY.

ELEGANT YET CONTEMPORARY, THIS IS THE NEW 'CLASSIC'.

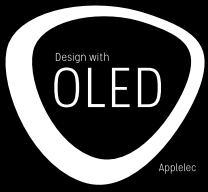
OLED BENEFITS

- BRIGHTER AND MORE EFFICIENT THAN CONVENTIONAL DECORATIVE LIGHTINGS (150LM)
- EXCELLENT COLOR RENDERING (CRI>90)
- EXCELLENT HOMOGENEITY OVER THE ILLUMINATING AREA (UNIFORMITY>85%)
- FREE OF BURN RISKS (TOUCHABLE)
- FREE OF GLARE AND UV

APPLICATION

- RETAIL
- RESIDENTIAL
- RESTAURANTS
- BARS & CAFÉS
- HOTELS
- PUBLIC AREAS





FREEDOM OF DIRECTION 280° tilt, 140° twist function

IN ADDITION TO ITS DECORATIVE ASPECTS, THE OLED CLASSIC PROVIDES FUNCTIONALITY THROUGH ITS “TILT & TWIST” OPTION, ENABLING DIRECTIONAL LIGHT AS WELL AS THE FREEDOM TO ADJUST BETWEEN DIRECT/INDIRECT LIGHT.



280° TILT (140° + 140°)



140° TWIST

STRUCTURE

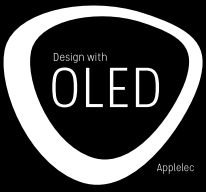


FLANGE WITH AC-DC CONVERTER
SPRAY PAINTED BLACK ALUMINIUM

DC-DC CONVERTER BOX
SPRAY PAINTED BLACK POLYCARBONATE

BODY
BLACK POWDER COATED STAINLESS STEEL

FRAME
SPRAY PAINTED BLACK POLYCARBONATE



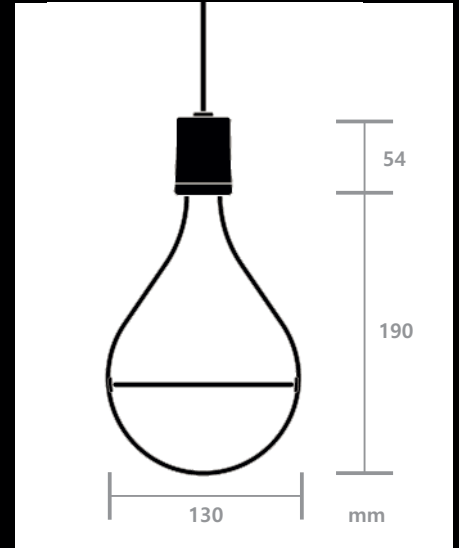
SPECIFICATIONS



SINGLE FRAME



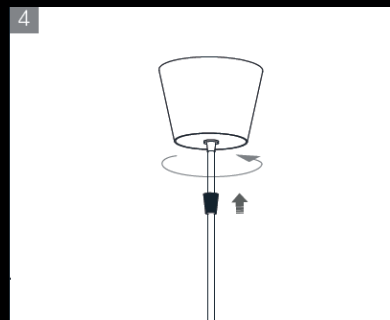
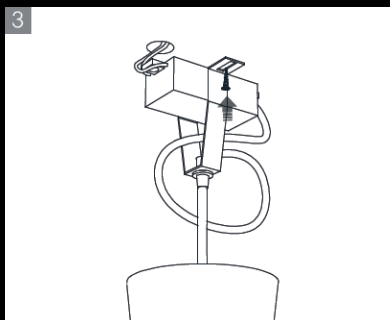
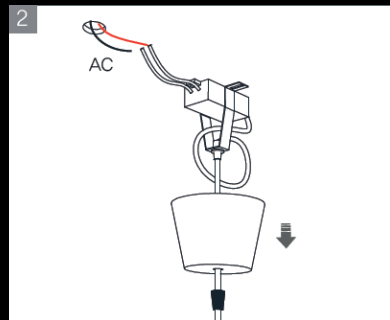
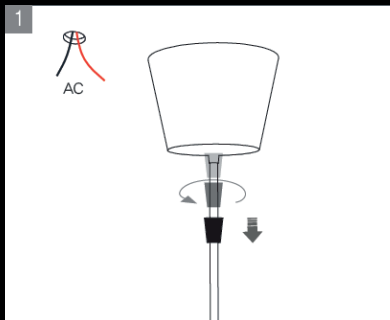
DOUBLE FRAME



DIMENSIONS

Model	Single Frame	Double Frame
Power Consumption	3W	
Luminous Flux	150lm	
Operating Voltage	DC 6.5V / 0.46A	
Colour Temperature	3000K	
CRI	90Ra	
Dimensions (length x height)	130 x 244mm	
Light Source	OLED Panel [LL043RC1-63P1-OY1]	

INSTALLATION



1. UNSCREW THE LUG UNDERNEATH THE FLANGE

2. PULL DOWN THE FLANGE AND CONNECT + / - WIRES

3. FIX THE MOUNT ON THE CEILING WITH TWO CREW BOLTS

4. FIX THE FLANGE WITH THE LUG

Applelec
Unit 1 Wharfedale Business Park
Shetcliffe Lane
BD4 9RW

01274 774477

www.designwitholed.co.uk